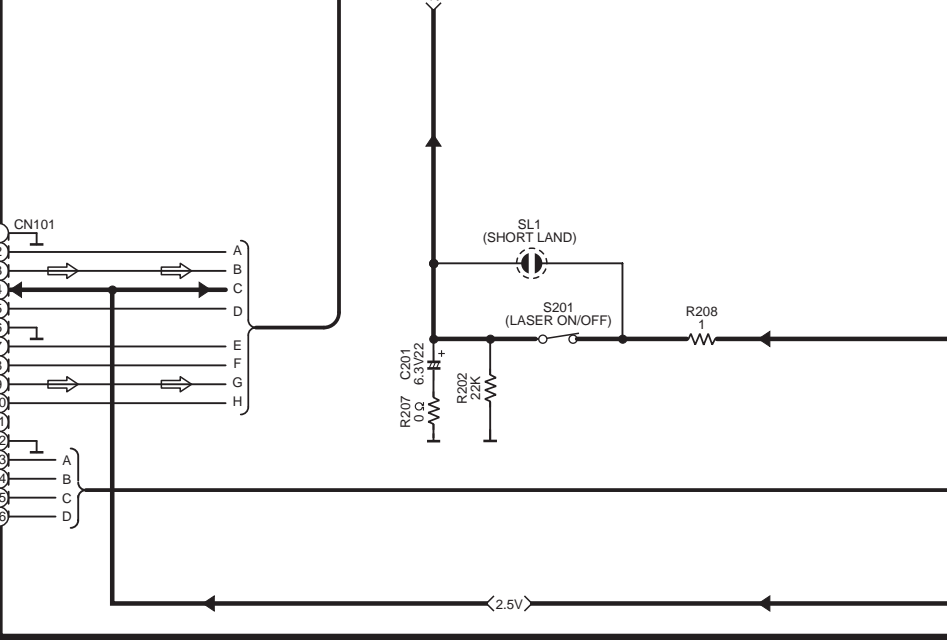
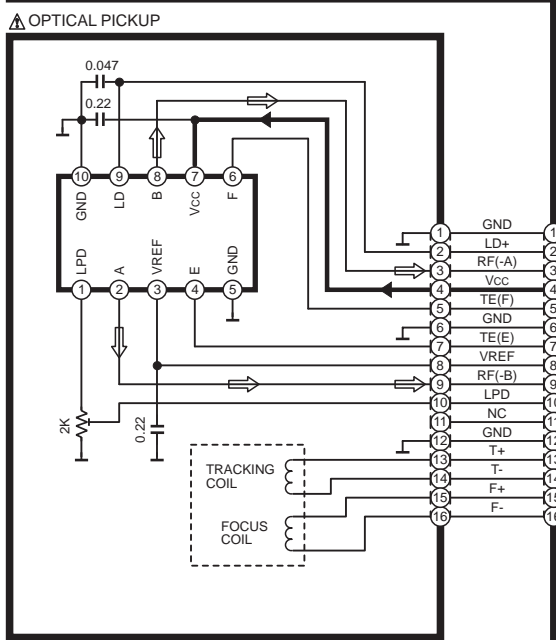
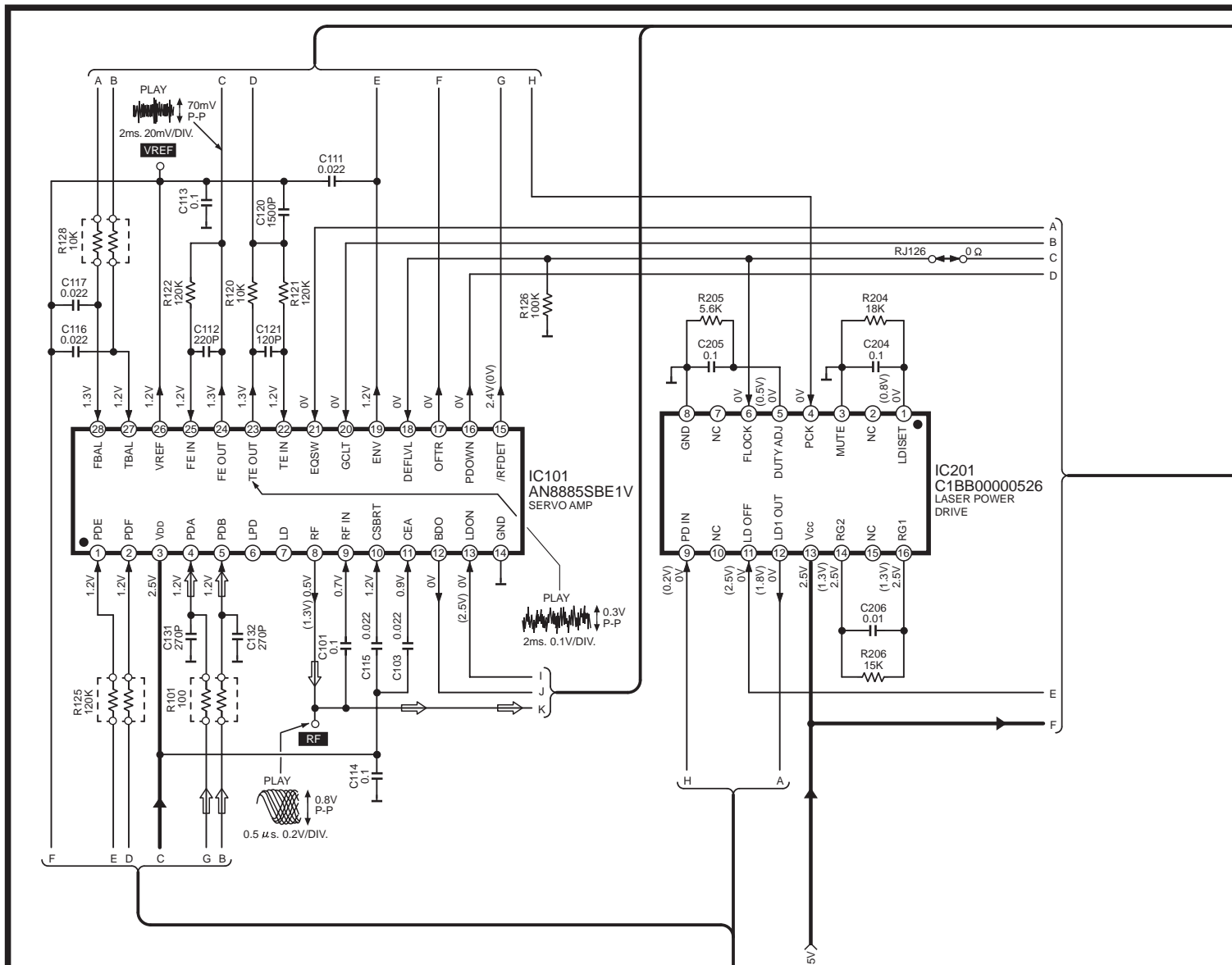
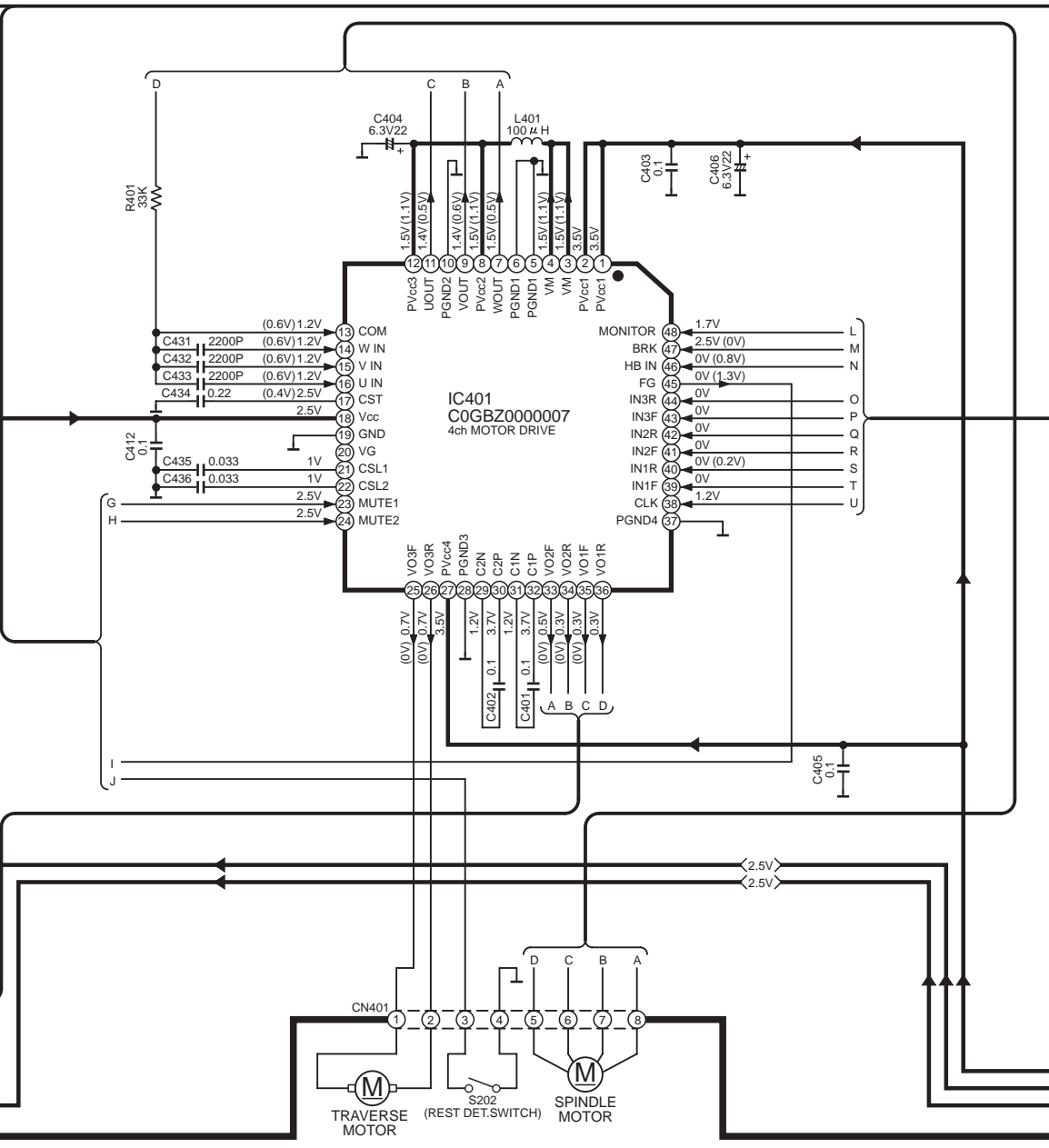
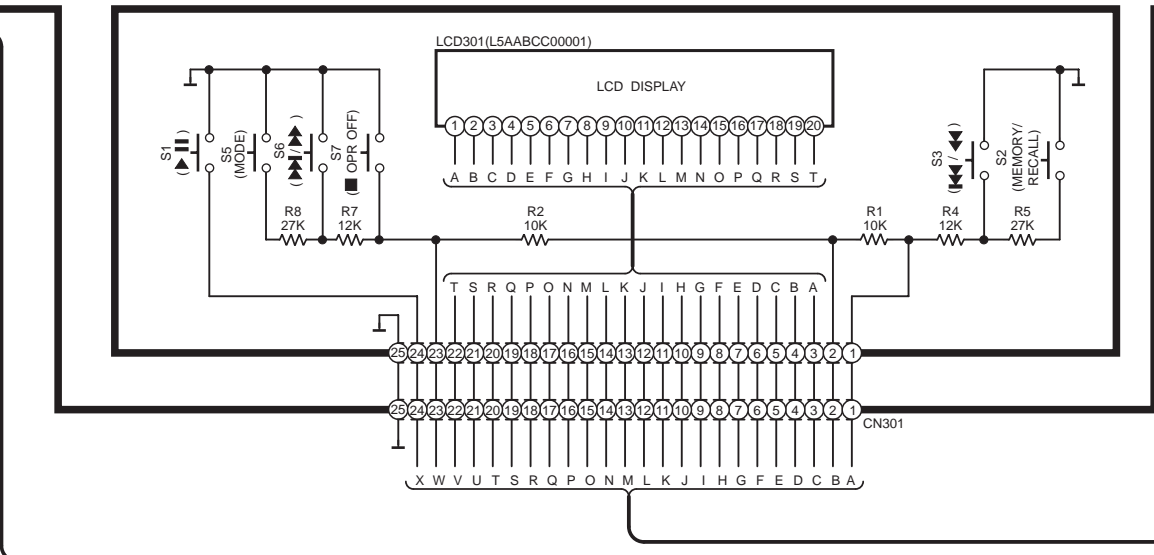


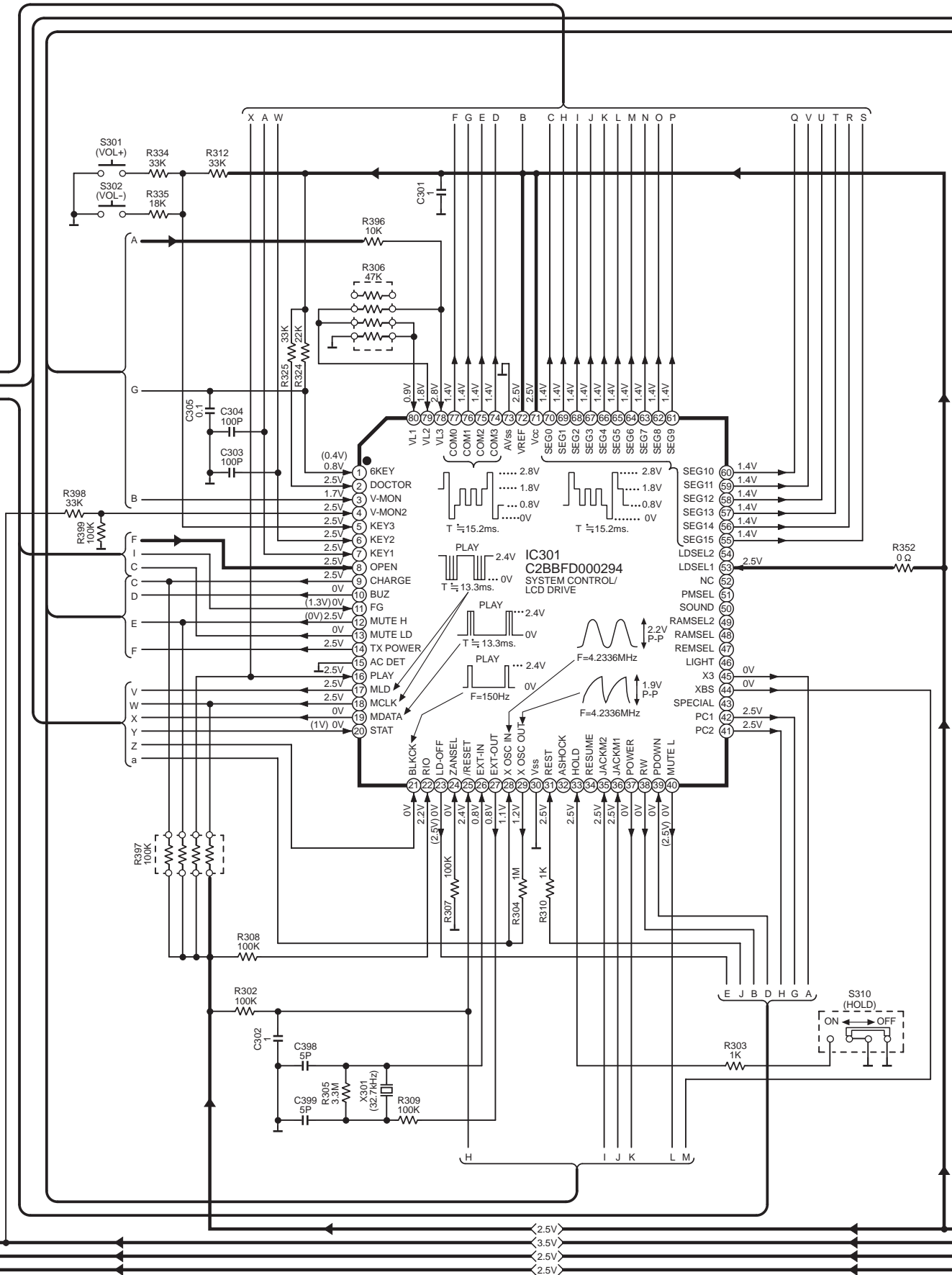
→ : POSITIVE VOLTAGE LINE    ⇨ : PLAYBACK SIGNAL LINE

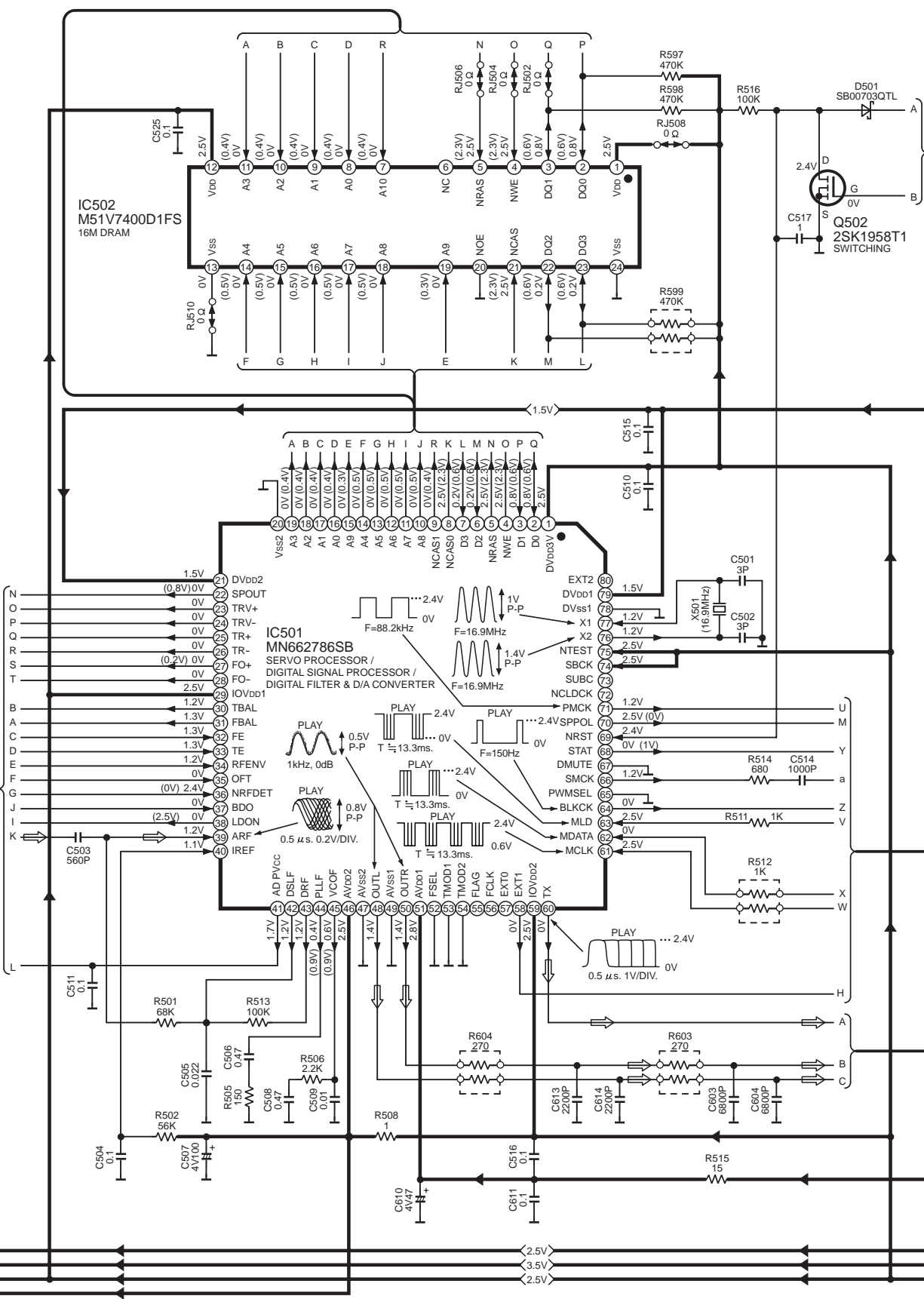


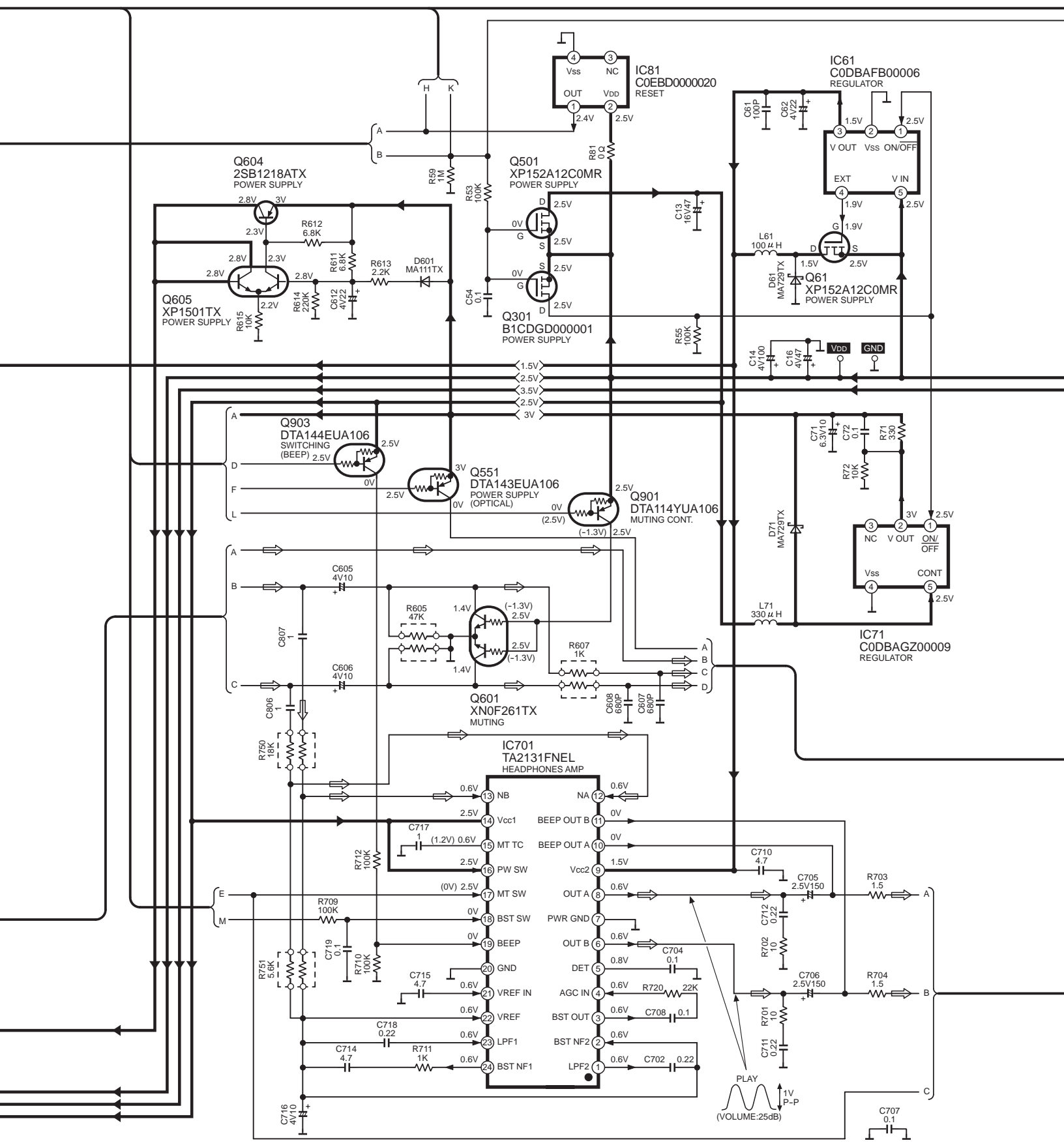
OPERATION+LCD UNIT → : POSITIVE VOLTAGE LINE



→ POSITIVE VOLTAGE LINE







→ : POSITIVE VOLTAGE LINE    ⇨ : PLAYBACK SIGNAL LINE

